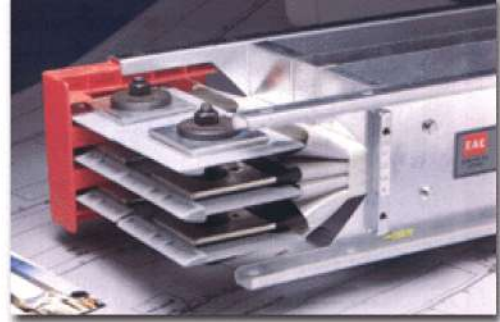


BUS BAR SYSTEM



Busway vs Cable

In conventional **CABLE** system :

Problems faced by Engineers, contractors and end-users :

- Lack of **flexibility**
- Lack of proper control in installation quality, leading to possibility of **poor workmanship**
- Questionable **safety and reliability** in some of the installations
- **Long time** and **much labour** required in installing and checking, etc
- Burden of sizing, selecting the right cables, trunkings, trays and accessories -- it is too **tedious and complicated to design**

Wanted Modular systems that :

- **Has good flexibility (reusable, easy addition or removal of loads**)
- **Compliance to International standards (IEC60439-2)**
- **Reduce the probability of poor workmanship**
- **Has Long life and Maintenance free**
- **Improve productivity (both in designing and installing), safe, reliable, simple**
- **Provide Proper 3-Phase Load distribution**

Solution ????

The bus bar system

DEFINITION OF BUS BAR SYSTEM

- Bus Bar is a **prefabricated modular structure**, in which current flows through the insulated conductor which is covered by steel house.
- Bus Bar is an effective modular electrical energy distribution system which is used to **distribute and transmit the electrical energy**.
- It is a **3- Phase 4- Wire system.(R,Y,B,&N)**.
- Housing is used as Strong earthing.
- It is **IP-55** certified (i.e.withstand in fire and pressurise water)
- Tin plated insulated conductors are tightly placed into a sheet of metal housing in the Bus Bar.
- This system is very useful to set up/relocate the line system (of the stitching machines).

Major Advantages of Bus Bar System

- **Easy & Quick installation**
- **Long Life & Maintenance free**
- **Compact & Small dimensions**
- **High short-circuit withstand**
- **Low voltage drop**
- **100% Reusable** of standard elements
- **Proper load distribution**

ADVANTAGES OF BUS BAR SYSTEM OVER CONVENTIONAL SYSTEM

- Bus Bar system is safe, reliable, long life and shock free system.
- Bus Bar has insulator support at plug in point on Bus Bar. So there is no chance of electric shock during plug-in and plug-out in running condition
- Bus Bar System reduces the power factor penalty in the Electrical bill due to proper 3-phase distribution.
- Bus Bar system has IP-55 Protection. It follows national (ISO) and international standards (IEC).
- There are 4 copper strip enclosed in GI housing provide compact structure in Bus bar system.
- Power distribution designing is very simple and easy in case of Bus Bar System while it is very tedious and complicated in case of wiring of cable tray. (like cable tray sizing, cable wire sizing & its Accessories etc).
- Bus bar systems do not burn, do not carry flames and do not generate poisonous (halogen, etc.) Gas incase of fire. Cable systems can burn and enable fire to split out in the buildings.

ADVANTAGES OF BUS BAR SYSTEM OVER CONVENTIONAL SYSTEM

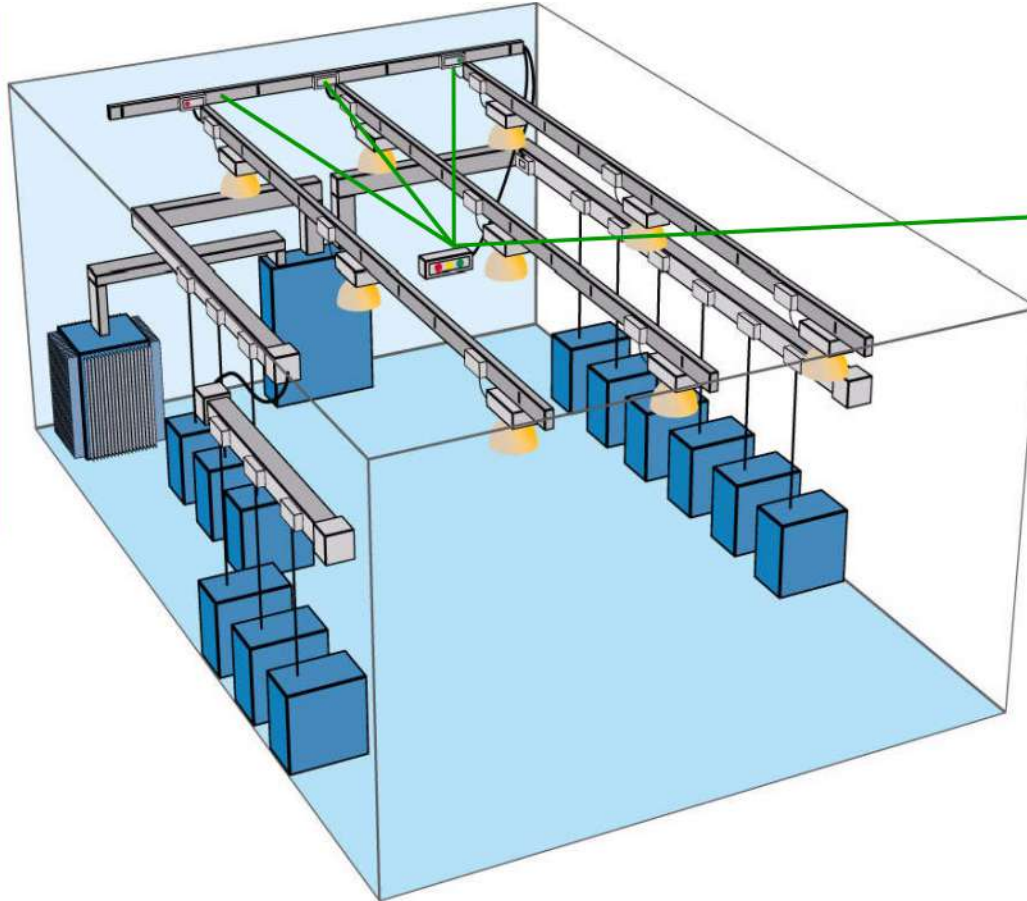
- Bus bar system has sheet metal body. This helps transferring the generated heat out through metal housing. Cooling is better than cable systems..
- Installation time is much shorter than cable systems. This provides low installation and manpower costs and helps for better time management.
- with robust structure, short circuit withstands capacity is much higher than cable systems.
- Bus bar installation can be extended, modified and shifted very easily without any wastage.
- Bus Bar system have modern, neat & clean and esthetic look. i.e. totally systematic.
- If Bus Bar is properly installed & technically installed then there is no chance of damage for whoEasy & Quick installation

Garments buildings

Factory

Very adaptable.

Factories often need to install new machines, reorganise production lines etc. EAE Busbar trunking can easily accommodate any changes.



Considerable flexibility.

EAE Busbar trunking feeds and controls lighting runs. This enables the creation and evolution of lighting outlet.

Minimal disruption.

Protection devices are located within each loads' tap-off unit, minimising "down-time" during maintenance and repair.

BUS BAR SOLUTION (SEWING SECTION)



BUS BAR SOLUTION (SEWING SECTION)



BUS BAR SOLUTION (SEWING SECTION)



BUS BAR SOLUTION (CUTTING SECTION)



BUS BAR SOLUTION (CUTTING SECTION)



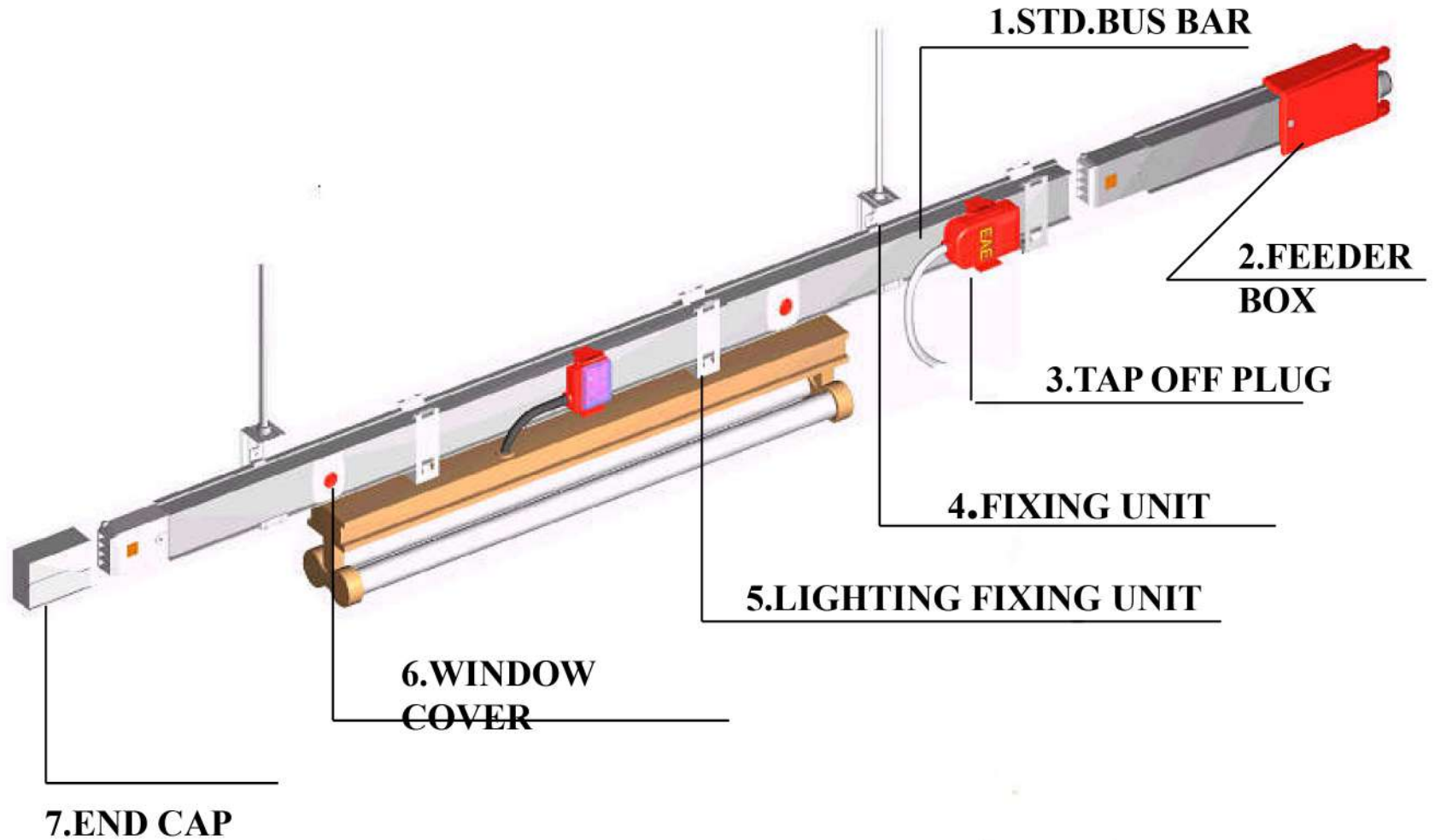
BUS BAR SOLUTION (FINISHING SECTION)



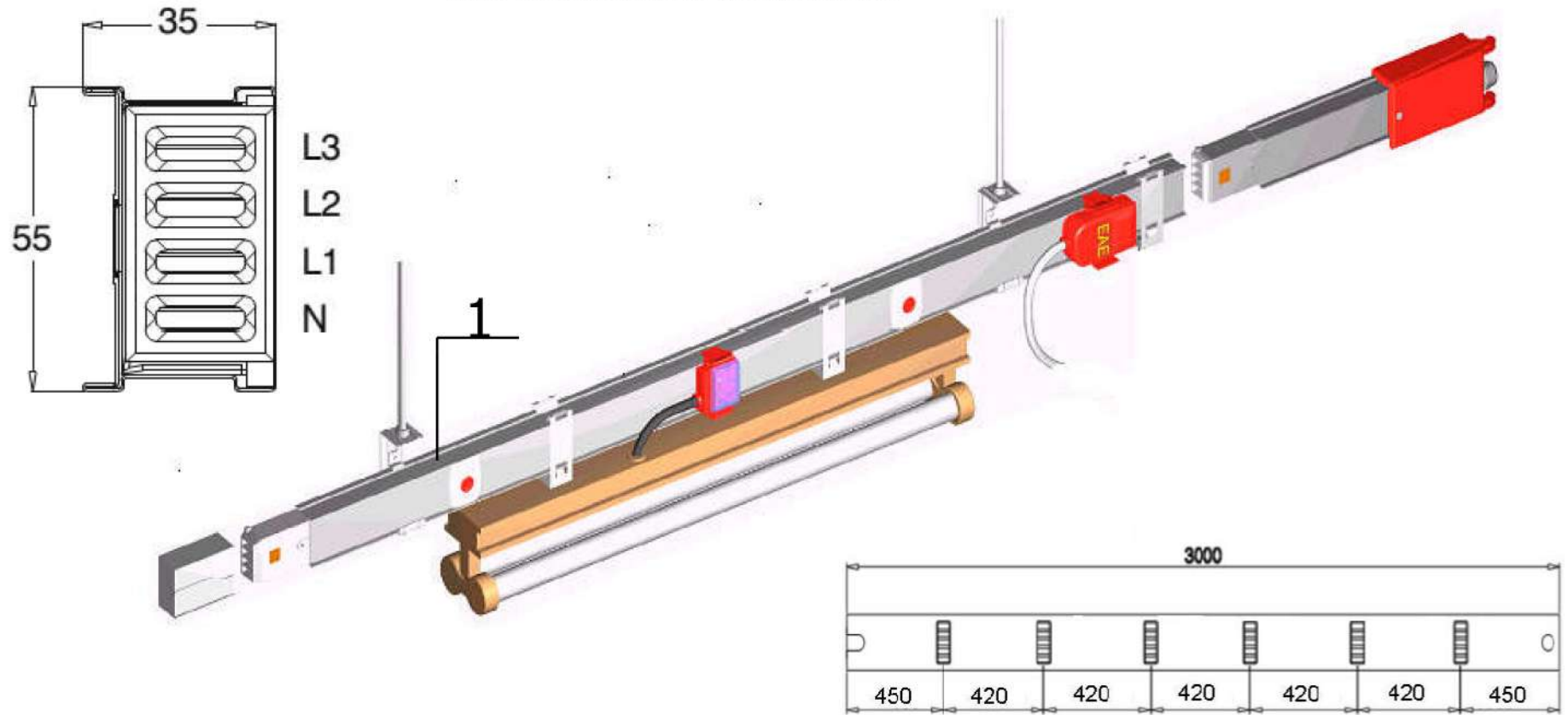
BUS BAR SOLUTION (FINISHING SECTION)



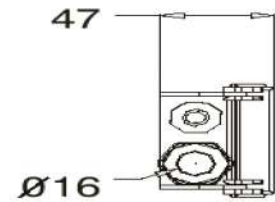
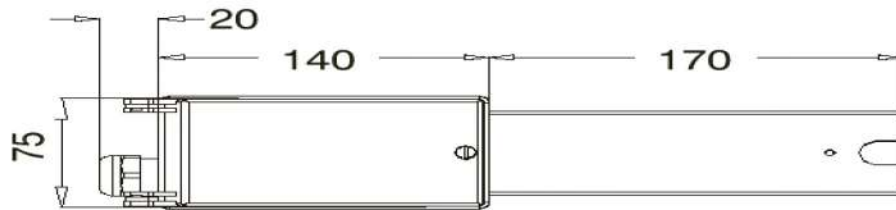
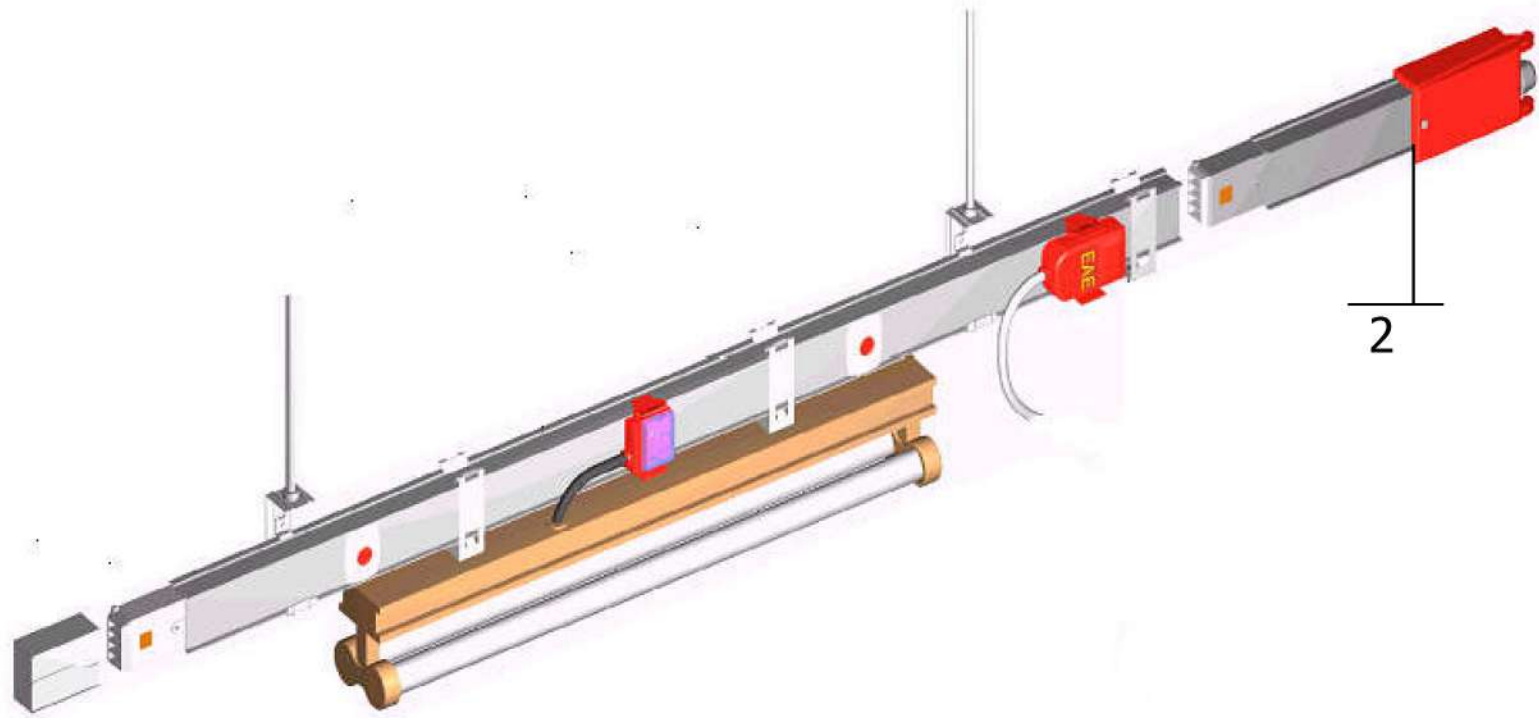
WHAT IS BUS BAR CONSISTING OF....



1. STANDARD BUS BAR



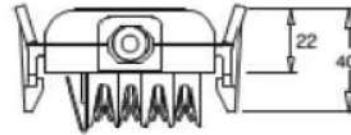
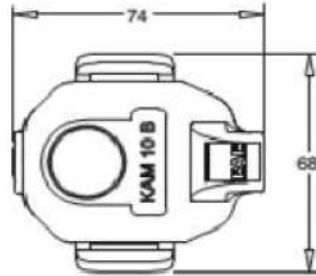
2. FEEDER BOX



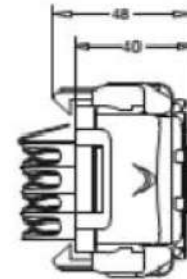
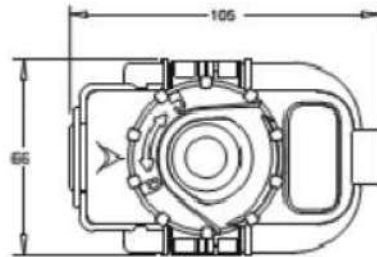
3 TAP OFF PLUGS



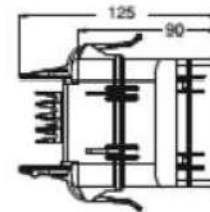
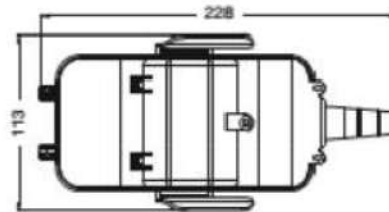
KAM 10 B



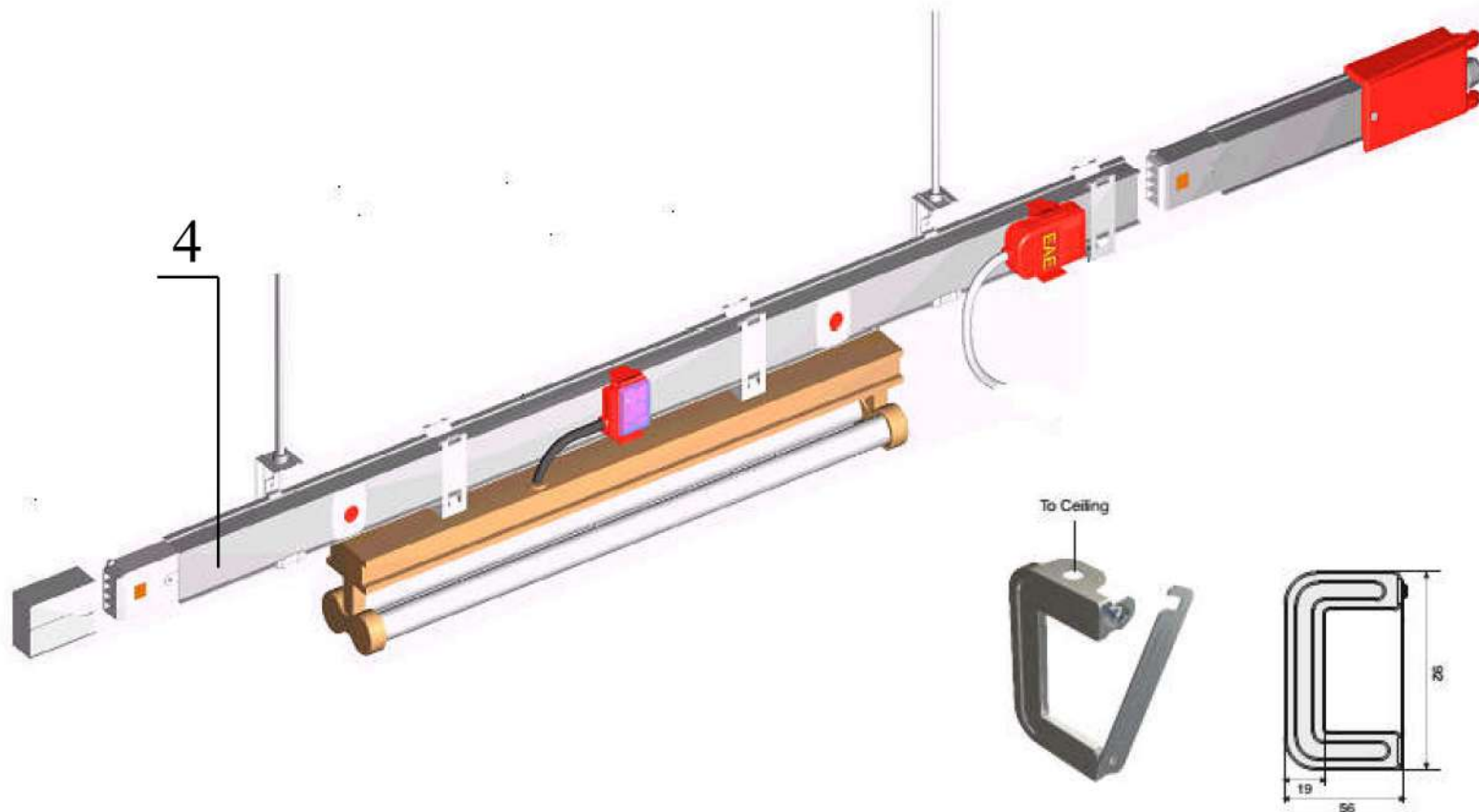
KAP 16 FS
KAP 16 K



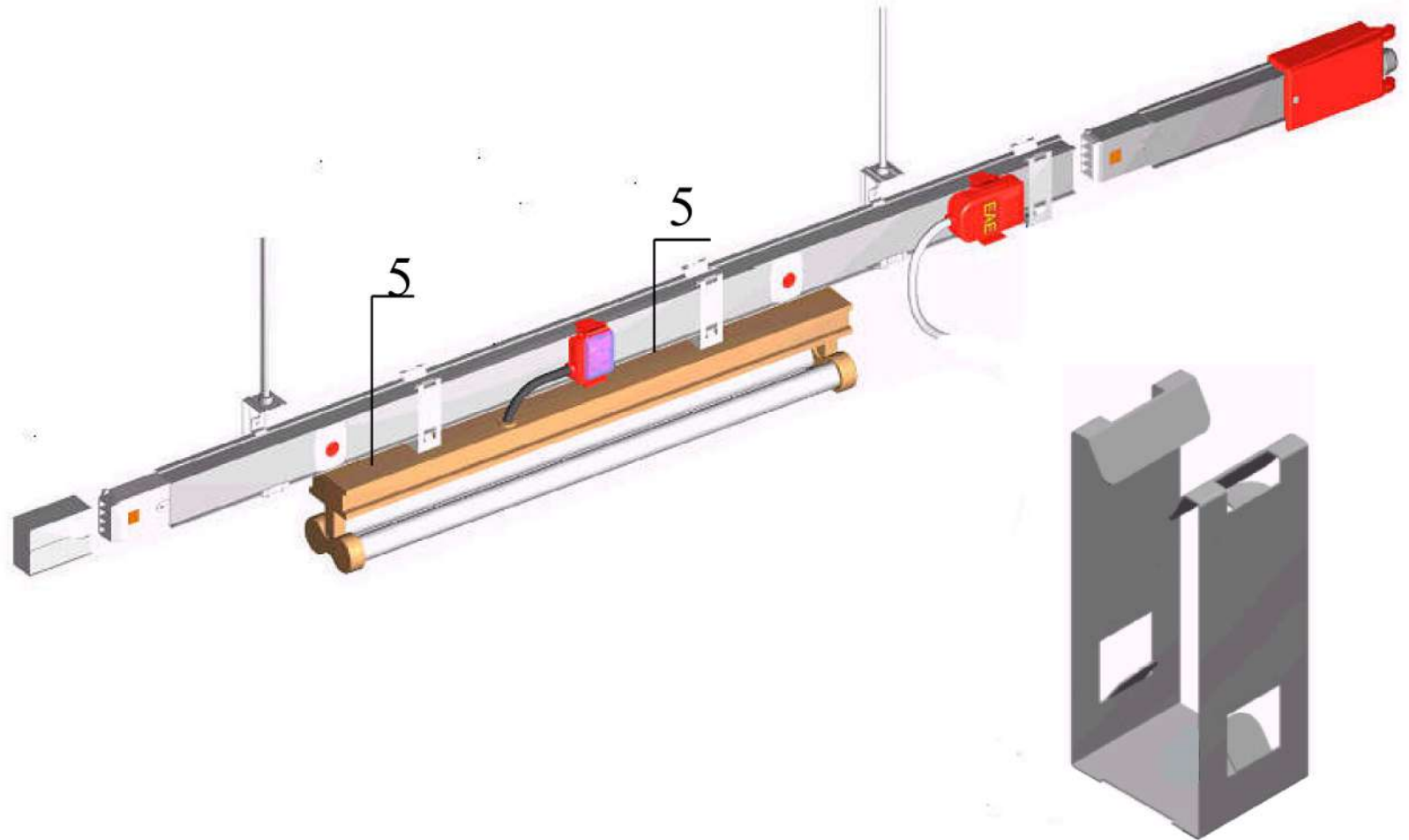
KAP 32



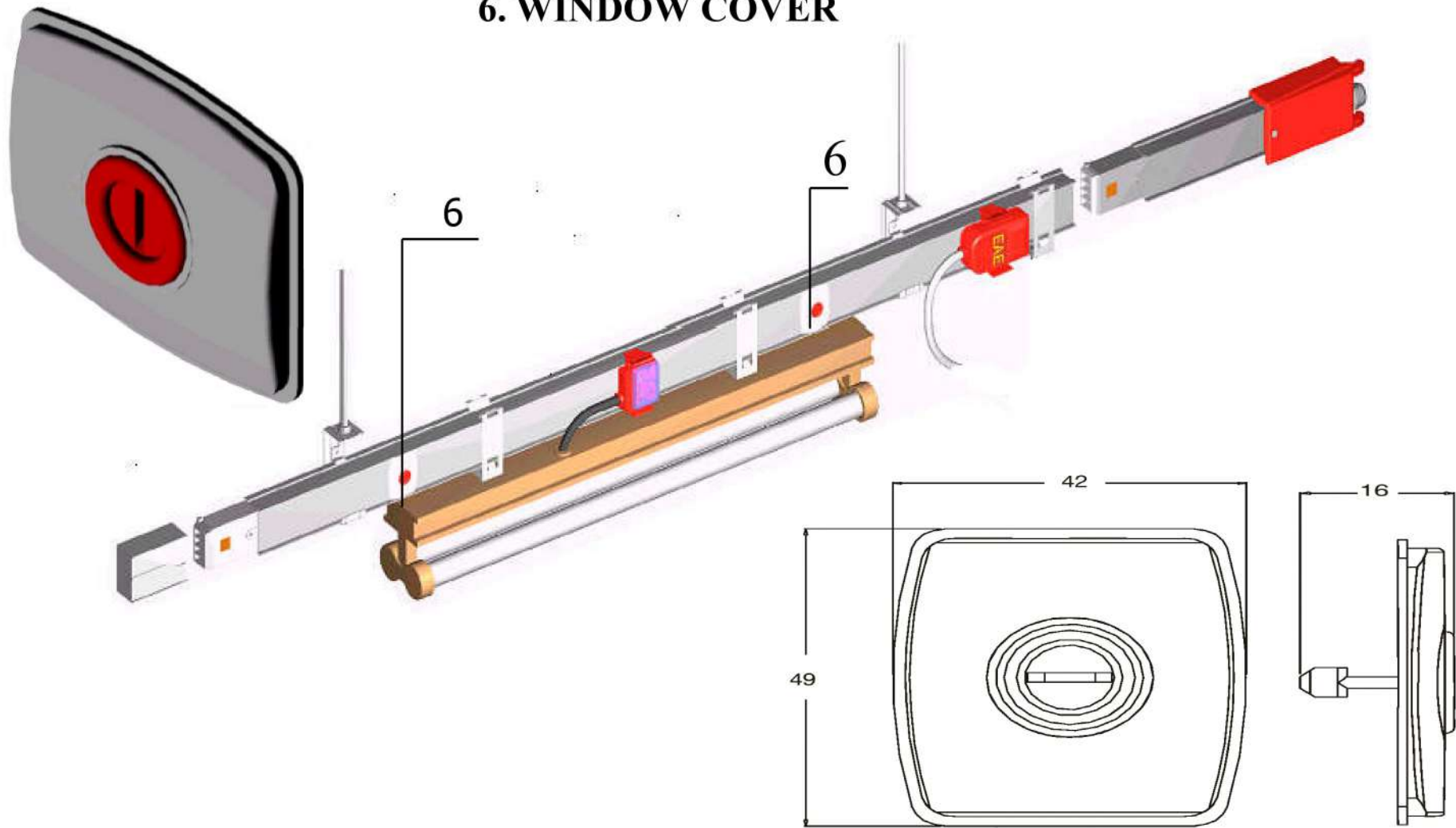
4.FIXING UNITS / BUS BAR HANGING CLAMP



5. LIGHTING FIXING UNITS / LIGHTING CLAMP



6. WINDOW COVER



- ▶▶ Richa & Company
- ▶▶ ITC
- ▶▶ Pearl Global
- ▶▶ Gaurav International
- ▶▶ Orient Craft Ltd.
- ▶▶ Orient Tex Feb
- ▶▶ Radnik Export
- ▶▶ Fashionage corporation
- ▶▶ SMS Export
- ▶▶ R.R. Trends
- ▶▶ Modesty Garments
- ▶▶ Creative Clothex
- ▶▶ Aero Club (Woodland)

- ▶▶ Weave Tex Pvt. Ltd.
- ▶▶ Strawberry
- ▶▶ J.S. Design
- ▶▶ YKK
- ▶▶ AKS Apparel
- ▶▶ Kohinoor Enterprises
- ▶▶ B.N. Enterprises
- ▶▶ Kalamkari
- ▶▶ S.G. Surgiwear
- ▶▶ Pytex Hosiery
- ▶▶ Pooja Garments
- ▶▶ Connection Export
- ▶▶ New Trendz

- ▶▶ Layap Hingis
- ▶▶ Birbal International
- ▶▶ Tets N Rai International
- ▶▶ Jato India Pvt. Ltd.
- ▶▶ JayBee Export
- ▶▶ Liberty Enterprises
- ▶▶ Lakhani Apparel
- ▶▶ Omega Design
- ▶▶ Vamani Overseas Pvt. Ltd.
- ▶▶ Eltex & Many More

- ▶▶ Kesaria Hosiery
- ▶▶ Mini King
- ▶▶ Hyphen Garments
- ▶▶ Jawandsons
- ▶▶ Bambi Apparels
- ▶▶ Soft Knits
- ▶▶ Royal Dresses
- ▶▶ MB Footwear
- ▶▶ Smile Garments
- ▶▶ Winsom Yarn
- ▶▶ Vardhaman Knit
- ▶▶ Grandway

- ▶▶ Exodus
- ▶▶ Variety Prints
- ▶▶ Earth Industries
- ▶▶ Turtle
- ▶▶ Exotica International
- ▶▶ Rupa
- ▶▶ Majumdar Textiles
- ▶▶ RajLakshmi
- ▶▶ Criss Niryat
- ▶▶ RB International
- ▶▶ Unified Clothing
- ▶▶ Tara Safe

- ▶▶ Somani Fabrics
- ▶▶ Suprint
- ▶▶ Simrat Export
- ▶▶ Rasayan Life Style (Rupayan)
- ▶▶ Traditional
- ▶▶ Rainbow Textiles
- ▶▶ Ahuja Overseas
- ▶▶ Spell Fashions (Udaipur)
- ▶▶ STI Phonix Wear (Indore)
- ▶▶ Abha Spintex (Bhilwara)

- ▶▶ Income tax building (govt. building)
- ▶▶ Intel company office building (Intel-India Head office building)
- ▶▶ IBM (Headoffice Building)
- ▶▶ Grand Windsor Hotel (Five Star Hotel)
- ▶▶ Salapurya Towers (Office Towers)
- ▶▶ Sahara (Shopping Mall)
- ▶▶ Lucent Golf View Project (IT Park)
- ▶▶ Lucent Nep-nei (Laboratories of Lucent Technologies)
- ▶▶ Rites (Govt. Corporate Building)
- ▶▶ Iffco (Govt. Corporate Building)
- ▶▶ Shastri Bhawan (Govt. Building)

- ▶▶ Maruti
- ▶▶ Suzuki Power Train
- ▶▶ Ashoka Tower, Bombay
- ▶▶ Brigade Tech Park
- ▶▶ Samsung India Private Ltd
- ▶▶ BSNL (Office Building)
- ▶▶ Relaxo Building
- ▶▶ YKK-Bhawal Building
- ▶▶ Delhi Metro
- ▶▶ GD Goenka International School
- ▶▶ IITM, Gwalior
- ▶▶ Galaxy Shopping Mall
- ▶▶ Ericcson